

Flanged Y-Type Strainer (V4), UL Listed

OE2701.7C

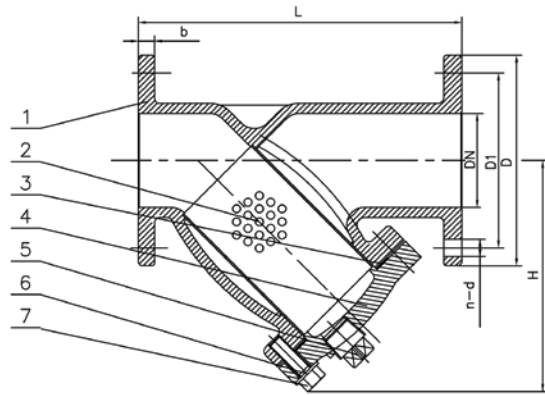


V4



NSF/ANSI 61 NSF/ANSI 372

- Connection Ends: Flange to ASME B16.1 CL 125
- Working Pressure: 300PSI
200PSI and 250PSI available upon request
- Temperature Range: -10°C- 200°C Graphite Gasket
0°C- 100°C Rubber Gasket
- Coating: Fusion Bonded Epoxy Coating in accordance with ANSI/AWWA C550



MATERIAL SPECIFICATION

Part No.	Part	Standard Specification	Options
1	Valve Body	ASTM A536 65-45-12	
2	Screen	AISI 304 (Perforated)	AISI 304, AISI 316 (Perforated, Knitted, Double Screen)
3	Gasket	Graphite + Acanthopore Plate	EPDM
4	Bonnet	ASTM A536 65-45-12	
5	Plug	Malleable Iron Galvanized	Bronze ASTM B584
6	Bolt	Carbon Steel Zinc Plated	AISI 304, AISI 316
7	Flat Washer	Carbon Steel Zinc Plated	AISI 304, AISI 316

Note: For special material request other than standard specification, please indicate clearly on the inquiry or order list.

DN		Dimensions(mm)					
Inch	mm	L	D	D1	b	n-φd	H
2"	50	200	152	120.5	16	4-φ19.1	155
2.5"	65	254	178	139.5	17.5	4-φ19.1	165
3"	80	257	191	152.5	19	4-φ19.1	180
4"	100	308	229	190.5	24	8-φ19.1	229
5"	125	397	254	216	24	8-φ22.2	285
6"	150	470	279	241.5	25.5	8-φ22.2	311
8"	200	549	343	298.5	28.5	8-φ22.2	394
10"	250	654	406	362	30.5	12-φ25.4	487
12"	300	759	483	432	32	12-φ25.4	547

CERTIFICATE OF COMPLIANCE

Certificate Number 20140722-EX16202
Report Reference EX16202-20130227
Issue Date 2014-JULY-22

Issued to: JINAN MEIDE CASTING CO LTD
3 NANMEN RD
PINGYIN
JINAN
SHANDONG 250400 CHINA


This is to certify that representative samples of STRAINERS, PIPELINE
See Addendum Page

Have been investigated by UL in accordance with the Standard(s) indicated on this Certificate.

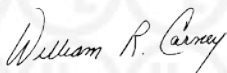
Standard(s) for Safety: Outline of Investigation for Pipeline Strainers, Subject 321;
Pipeline Strainers, ULC/ORD-C321-03

Additional Information: See the UL Online Certifications Directory at www.ul.com/database for additional information

Only those products bearing the UL Listing Mark for the US and Canada should be considered as being covered by UL's Listing and Follow-Up Service meeting the appropriate requirements for US and Canada.

The UL Listing Mark for the US and Canada generally includes: the UL in a circle symbol with "C" and "US" identifiers:  the word "LISTED"; a control number (may be alphanumeric) assigned by UL; and the product category name (product identifier) as indicated in the appropriate UL Directory.

Look for the UL Listing Mark on the product.



William R. Carney, Director, North American Certification Programs
UL LLC

Any information and documentation involving UL Mark services are provided on behalf of UL LLC (UL) or any authorized licensee of UL. For questions, please contact a local UL Customer Service Representative at www.ul.com/contactus

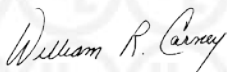


CERTIFICATE OF COMPLIANCE

Certificate Number 20140722-EX16202
Report Reference EX16202-20130227
Issue Date 2014-JULY-22

This is to certify that representative samples of the product as specified on this certificate were tested according to the current UL requirements.

Model	Size, in.	Rated Pressure, psig	End Configuration
V4	2, 2.5, 3, 4, 6, 8, 10, 12	300	F by F
	2, 2.5, 3, 4, 5, 6, 8, 10, 12	233	
V8-300	2, 2.5, 2.5 (76.1mm), 3, 4, 5 (139.7mm), 6 (165.1mm), 6, 8, 10, 12	300	G by G
V8-250		250	
V8-200		200	
V8-PN16		233	
V8-PN10		175	



William R. Carney, Director, North American Certification Programs
 UL LLC

Any information and documentation involving UL Mark services are provided on behalf of UL LLC (UL) or any authorized licensee of UL. For questions, please contact a local UL Customer Service Representative at www.ul.com/contactus

