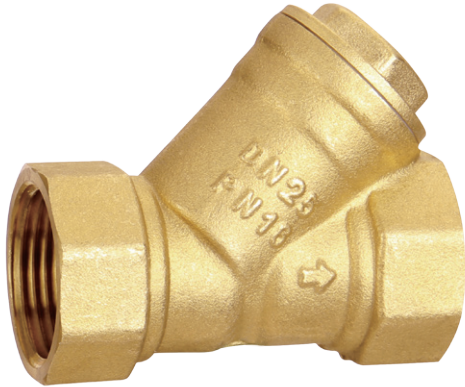
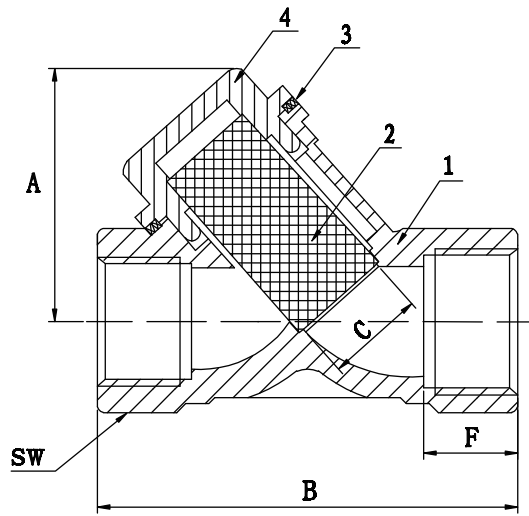


Brass Y-type Strainer (V1-601A)



V1-601A

- Connection Ends: ISO 228
- Working Pressure: PN16
- Temperature Range: -20°C- 120°C



MATERIAL SPECIFICATION

Part No.	Part	Standard Specification
1	Body	Brass HPb59-1
2	Screen	SS304
3	Sealing Ring	PTFE
4	Cover	Brass HPb59-1

Note: For special material request other than standard specification, please indicate clearly on the inquiry or order list.

DN		PN	Dimensions(mm)				
Inch	mm		A	B	C	F	SW
1/2"	15	16	39	56	13	12	24.5
3/4"	20	16	47	69	21	12	33
1"	25	16	50	76	21	13	38.5
1 1/4"	32	16	65	94	27	15.5	47
1 1/2"	40	16	74	102	32	19	53.5
2"	50	16	88	120	42	19	67