

Double Door Wafer Check Valve (DH77X), UL Listed

OC2700.7CL

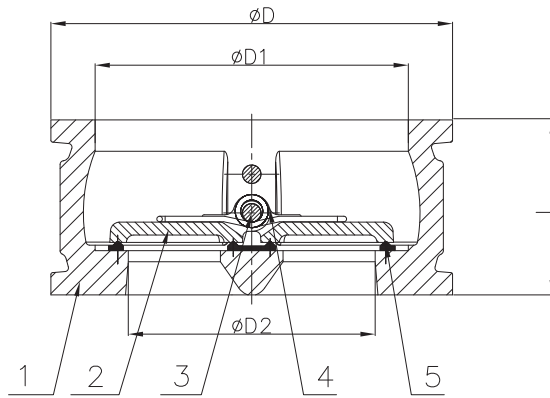


DH77X



NSF/ANSI 61 NSF/ANSI 372

- Connection Ends: ASME B16.1 CL 125, ASME B16.5 CL 150
- Working Pressure: 300PSI
200PSI and 250PSI available upon request
- Temperature Range: 0°C- 100°C
- Coating: Fusion Bonded Epoxy Coating in accordance with ANSI/AWWA C550



MATERIAL SPECIFICATION

Part No.	Part	Standard Specification	Options
1	Valve Body	ASTM A536, 65-45-12	
2	Disc	AISI 316	ASTM A536, 65-45-12, SS316, AL-Bronze UNC 95400
3	Stem	AISI 420	AISI 304, AISI 316, AISI 416
4	Spring	AISI 304	AISI 316
5	Rubber Seat	EPDM	NBR

Note: For special material request other than standard specification, please indicate clearly on the inquiry or order list.

DN		Dimensions(mm)			
Inch	mm	L	D	D1	D2
2"	50	54	106	68	46
2.5"	65	60	127	78	60
3"	80	57	134	102	70
4"	100	67	162	117	84
5"	125	83	194	145	115
6"	150	95	218	170	134
8"	200	127	277	226	184
10"	250	140	336	265	220
12"	300	181	406	310	260
14"	350	184	447	360	302
16"	400	191	505	410	350

CERTIFICATE OF COMPLIANCE

Certificate Number 20161111-EX16203
Report Reference EX16203-20131015
Issue Date 2016-NOVEMBER-11

Issued to: JINAN MEIDE CASTING CO LTD
3 NANMEN RD
PINGYIN, JINAN
SHANDONG 250400 CHINA

**This is to certify that
representative samples of**

CHECK VALVES
H44X2-300, H44X2-16, H44X2-200, H84X-300,
H84X-250, H84X-200, H84X-PN16, H84X-PN10,
H44X2A-300, H44X2A-250, H44X2A-200, H44X2A-PN16,
H44X2A-PN10, DH77X-300, DH77X-250, DH77X-200,
DH77X-PN16, DH77X-PN10.

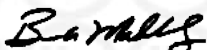
Have been investigated by UL in accordance with the
Standard(s) indicated on this Certificate.

Standard(s) for Safety: UL 312, Check Valve for Fire-Protection Service
ULC/ORD-C312, Check Valve for Fire-Protection Service

Additional Information: See the UL Online Certifications Directory at
www.ul.com/database for additional information

Only those products bearing the UL Certification Mark should be considered as being covered by UL's
Certification and Follow-Up Service.

Look for the UL Certification Mark on the product.



Bruce Mahrenholz, Director North American Certification Program
UL LLC

Any information and documentation involving UL Mark services are provided on behalf of UL LLC (UL) or any authorized licensee of UL. For questions, please
contact a local UL Customer Service Representative at <http://ul.com/aboutu/locations/>

