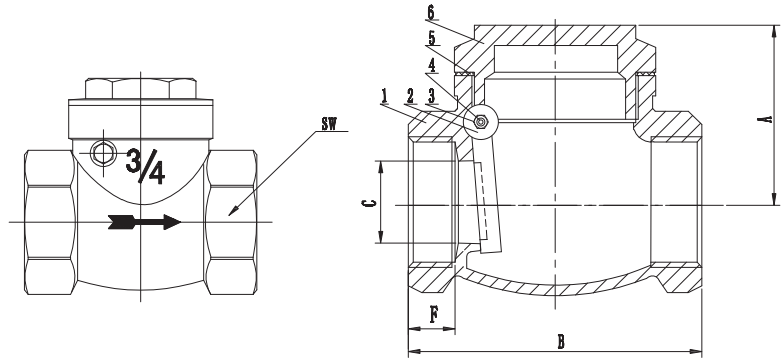


## Brass Check Valve (H14W-401A)



H14W-401

- Connection Ends: ISO 228
- Working Pressure: PN16
- Temperature Range: -20°C- 120°C



MATERIAL SPECIFICATION

Part No.	Part	Standard Specification
1	Body	HPb59-1
2	Disc	HPb57-3
3	Nut	HPb57-3
4	Pin	SS304
5	Gasket	Metal Anaerobic Adhesive
6	Bonnet	HPb59-1

Note: For special material request other than standard specification, please indicate clearly on the inquiry or order list.

DN		PN	Dimensions(mm)				
Inch	mm		A	B	C	F	SW
1/2"	15	16	33	47	13	10	26
3/4"	20	16	38	57.5	16	12.7	32
1"	25	16	41	62	22.5	13.5	40
1 1/4"	32	16	49	71	27	14.5	48
1 1/2"	40	16	58	82	31	16.5	55
2"	50	16	66	95	41	17	66.5