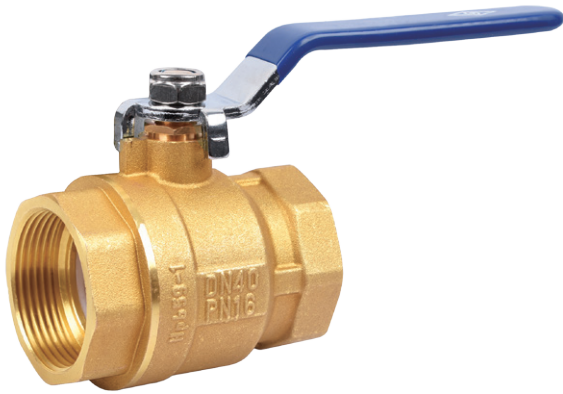
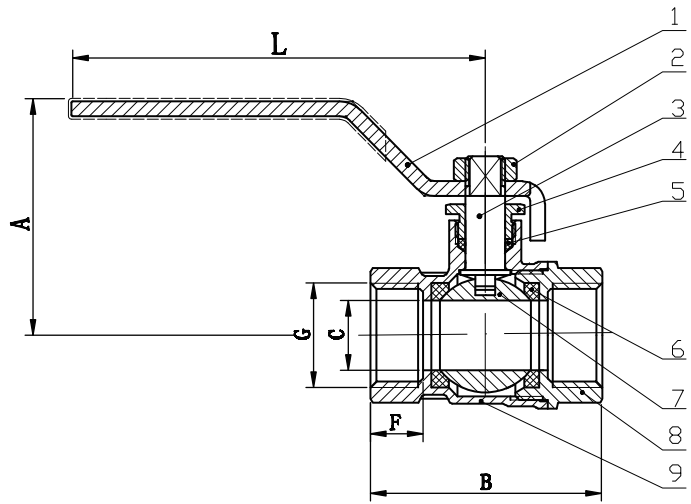


**Brass Ball Valve
(Q11F-201A)**



Q11F-201A

- Connection Ends: ISO 228
- Working Pressure: PN16
- Temperature Range: -20°C- 120°C



MATERIAL SPECIFICATION

Part No.	Part	Standard Specification
1	Sticky Plastic Handle	A3
2	Locknut	A3
3	Stem	HPb57-3
4	Pressure Cap	HPb57-3
5	Padding	PTFE
6	Seat	PTFE
7	Valve Ball	HPb57-3
8	Bonnet	HPb59-1
9	Body	HPb59-1

Note: For special material request other than standard specification, please indicate clearly on the inquiry or order list.

DN		PN	Dimensions(mm)					
Inch	mm		G	A	B	C	F	L
1/2"	15	16	1/2	50	53.5	14	12.5	90
3/4"	20	16	3/4	50	57	19	12.5	90
1"	25	16	1	59	64.5	23	13.5	103
1 1/4"	32	16	1 1/4	72	74	29	14.5	140
1 1/2"	40	16	1 1/2	77	83	37	15	140
2"	50	16	2	84	94	45	15	146