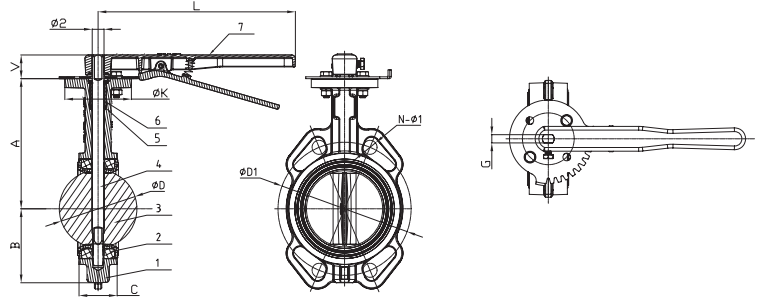


BS EN 593 Universal Wafer Butterfly Valve (D71X4, D371X4), PN10/16



D71X4

Rubber Seat with Backing
Cartridge Style



MATERIAL SPECIFICATION

Part No.	Part	Standard Specification	Options
1	Valve Body	EN-GJS-450-10	
2	Seat	DN40-400: EPDM & Backing DN450-800: EPDM Vulcanized on Valve Body	NBR/Fluororubber&Backing EPDM/NBR Vulcanized on Valve Body Soft Seat in EPDM/NBR
3	Disc	EN-GJS-450-10	SS304, SS316, AL-Bronze C95400
4	Stem	DN40-350: Stainless Steel, One-Piece Stem Design DN400-800: Stainless Steel, Two-Piece Stem Design	SS304, SS316, SS420, SS431
5	O-Ring	NBR	EPDM
6	Bushing	DN40-350: Nylon 1010 DN400-800: Lubricating Bronze	PTFE
7	Lever	EN-GJS-450-10	Aluminum
8	Shaft Cover (DN400-800)	EN-GJS-450-10	
9	Gear Box	EN-GJS-450-10	

Note: For special material request other than standard specification, please indicate clearly on the inquiry or order list.

WRAS ACS CE NSF/ANSI 61 NSF/ANSI 372

- Design Standard: BS EN 593
- Connection Ends: Universal Flange to BS EN 1092 PN10/PN16, AS 2129 TABLE E, JIS B2212 10K, BS 10 TABLE D/E
- Top Flange Standard: ISO 5211
Stem drive by keys, parallel or diagonal square or flat head
- Working Pressure: PN10/16
- Temperature Range: 0°C- 100°C
- Coating: Fusion Bonded Epoxy Coating in accordance with ANSI/AWWA C550



D71XV4
Vulcanized Seat
Boot Style

D71XS4
Independent Rubber Seat
Dove-tail Style

D371X4
Rubber Seat with Backing
Cartridge Style

DN		Dimensions(mm)																
Inch	mm	A	B	V	C	ØD	Ø2	ØK	G	L	ØD1	N-Ø1	ISO 5211	Ø3	H	H1	H2	P
1.5"	40	138	64.5	32	33	43.9	14	90	9.45	267	110	4-Ø19	F07	150	206	158	52	43.5
2"	50	140.5	64.5	32	43	53.9	14	90	9.53	267	125	4-Ø19	F07	150	206	158	52	43.5
2.5"	65	153	72	32	46	65.2	14	90	9.53	267	145	4-Ø19	F07	150	206	158	52	43.5
3"	80	157.5	86	32	46	79.7	14	90	9.53	267	160	8-Ø19	F07	150	206	158	52	43.5
4"	100	176	100	32	52	105	16	90	11.14	267	180	8-Ø19	F07	150	206	158	52	43.5
5"	125	191	112	32	56	130	16	90	11.14	267	210	8-Ø19	F07	150	206	158	52	43.5
6"	150	202.5	128	32	56	156	20	90	12.7	267	240	8-Ø23	F07	150	206	158	52	43.5
8"	200	243.5	162	45	60	206.7	26	125	20.6	356	295	12-Ø23	F10	300	310	239	69	62.5
10"	250	273	194	45	68	253.3	26	125	20.6	490	355	12-Ø28	F10	300	310	239	69	62.5
12"	300	311	223	45	78	301.9	28	125	22.1	490	410	12-Ø28	F10	300	307	229	73	77.5
14"	350	340	267	48	78	333.9	31.6	150	22.1	-	470	16-Ø28	F12	300	307	229	73	77.5
16"	400	400	319.5	48	102	389.6	33.2	175	27	-	525	16-Ø31	F14	380	418	288	110	120
18"	450	422	345.4	48	114	441	38.1	175	27	-	585	20-Ø31	F14	380	418	288	110	120
20"	500	480	380	70.2	127	492.4	41.2	210	-	-	650	20-Ø34	F16	380	465	215	123	185
24"	600	562	441	70.2	154	592.8	50.6	210	-	-	770	20-Ø37	F16	380	500	215	129	185
Inch	mm	A	B	V	C	ØD	Ø2	ØK	G	L	ØD1	N-Ø1	ISO 5211	Ø3	H	H1	H2	P
28"	700	575	505	70.2	165	695	63.4	300	-	-	840	24-Ø31	F25	380	543	213	132	218
30"	750	660	550	70.2	165	744	63.4	300	-	-	900	24-Ø34	F25	380	543	213	132	218
32"	800	667	577	70.2	190	795.7	63.4	300	-	-	950	24-Ø34	F25	380	543	213	132	218

Note: Not designed for dead end service



CERTIFICATION MARK

This certifies that

JINAN MEIDE CASTING CO. LTD.

has had the undermentioned product examined, tested and found, when correctly installed, to comply with the requirements of the United Kingdom Water Supply (Water Fittings) Regulations and Scottish Water Byelaws.

D71X4, D371X4, XD371X4, D71XL4, D371XL4, XD371XL4, D41X4 & D341X4 BUTTERFLY VALVES

The certificate by itself is not evidence of a valid WRAS Approval. Confirmation of the current status of an approval must be obtained from the WRAS Directory (www.wras.co.uk/directory)

The product so mentioned will be valid until the end of:

September 2021

1609361

Certificate No.

A handwritten signature in black ink, appearing to read 'J. Funnal'.

Secretary

A handwritten signature in black ink, appearing to read 'K. Leebey'.

Chairman, Product Assessment Group